

## DLCAP™ DKA series



- Increase flexibility of module design.
- Space saving with smaller volume when moduled.
- Very low DCIR even at low and high temperature.

### ◆ SPECIFICATIONS

Items	Specifications	
Operating Temperature	-40°C ~ +70°C	
Capacitance Tolerance	±10% (K) (25°C)	
Temperature Characteristics	Capacitance Change	≤ ±30% of the measured value at 20°C
	Internal Resistance Change	≤ 600% of the internal resistance maximum value given in the ratings tables (-40°C)
Load Life Test	After the capacitors are subjected to the rated DC voltage at 70°C for 1000 hours, the following specifications shall be satisfied when they are restored to 20°C .	
	Capacitance Change	≤ ±30% of the initial measured value at 20°C
	Internal Resistance Change	≤ 200% of the internal resistance maximum value given in the ratings tables
	After the capacitors are subjected to the rated DC voltage at 60°C for 2000 hours, the following specifications shall be satisfied when they are restored to 20°C .	
	Capacitance Change	≤ ±30% of the initial measured value at 20°C
	Internal Resistance Change	≤ 200% of the internal resistance maximum value given in the ratings tables
Bias Humidity Test	After the capacitors are left at 40°C and 90 to 95%RH for 500 hours, the following specifications shall be satisfied when they are restored to 20°C .	
	Capacitance Change	≤ ±30% of the initial measured value at 20°C
	Internal Resistance Change	≤ 200% of the internal resistance maximum value given in the ratings tables

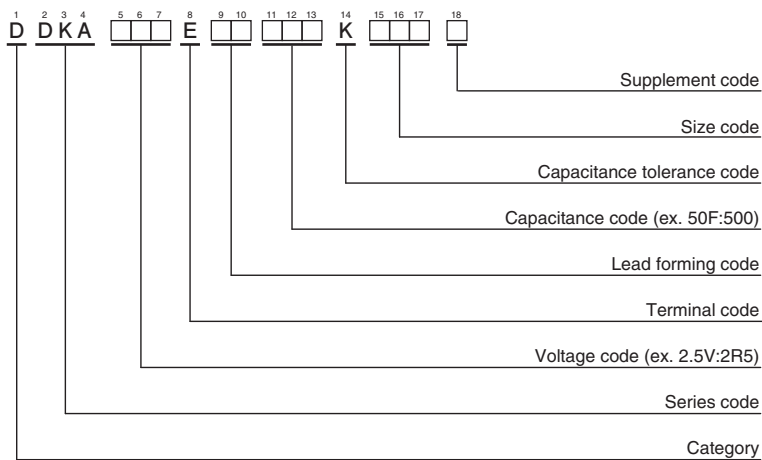
### ◆ STANDARD RATINGS

#### ● DKA series

Rated Voltage [V]	Capacitance	Nominal Case Size		Internal Resistance		Weight*1 [g]	Energy Storage [Wh]	Part No.
	Typ. (rated) [F]	φ D [mm]	L [mm]	Typ. [mΩ]	Max. [mΩ]			
2.5	50	18	50	11.0	13.2	18	0.04	DDKA2R5ELL500KM50S

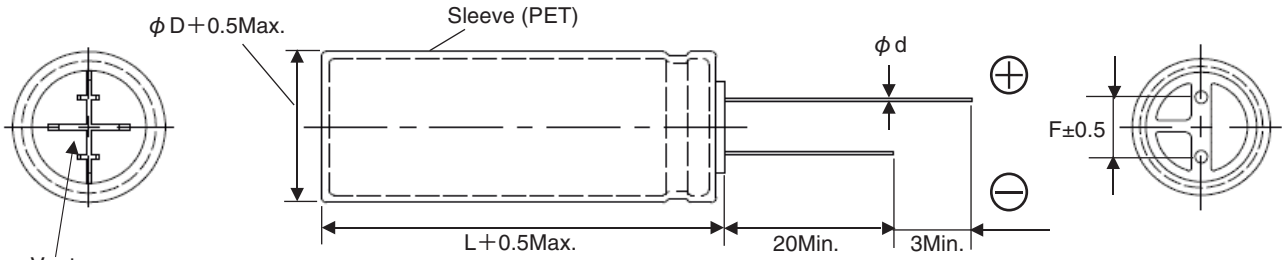
\* 1 Reference data

### ◆ PART NUMBERING SYSTEM



DLCAP™ DKA series

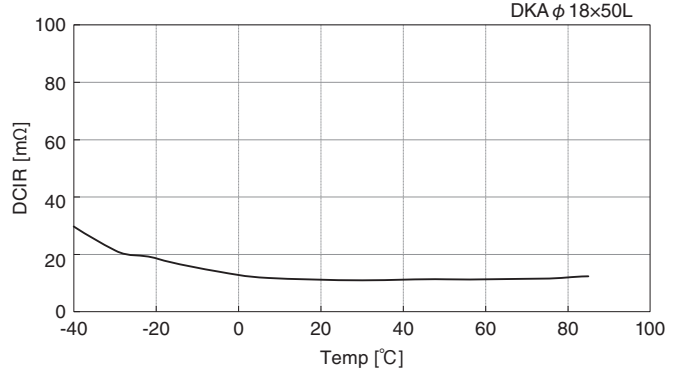
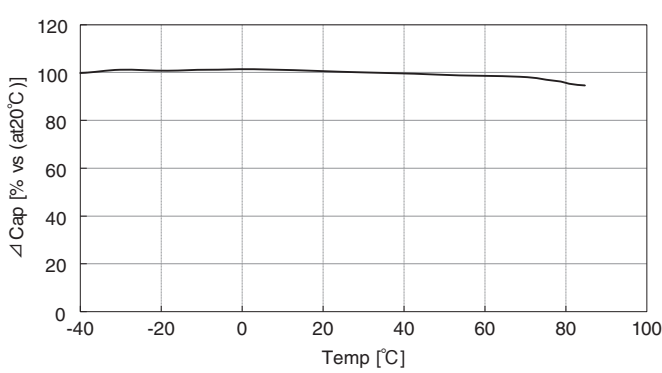
◆ DIMENSIONS [mm]



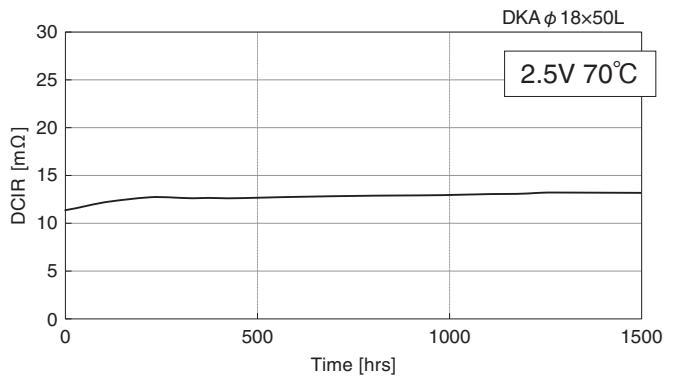
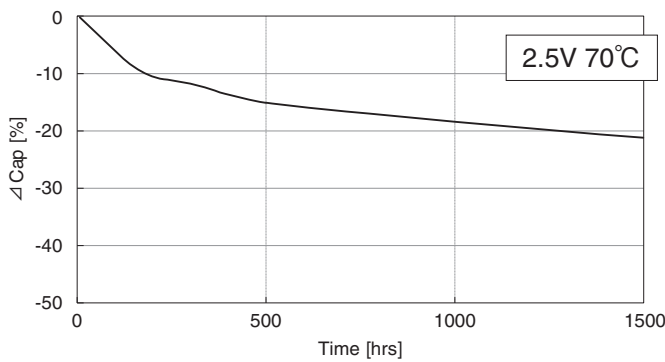
Do not use sealing rubber's orientation of this drawing to identify polarity of the actual part.  
Orientation of sealing rubber and safety vent are not associated.

Part No.	$\phi D$ [mm]	L [mm]	F [mm]	$\phi d$ [mm]
DDKA2R5ELL500KM50S	18	50	7.5	0.8

◆ Temperature Dependence of Capacitance & DCIR



◆ 70°C Load Life Test



◆ 60°C Load Life Test

